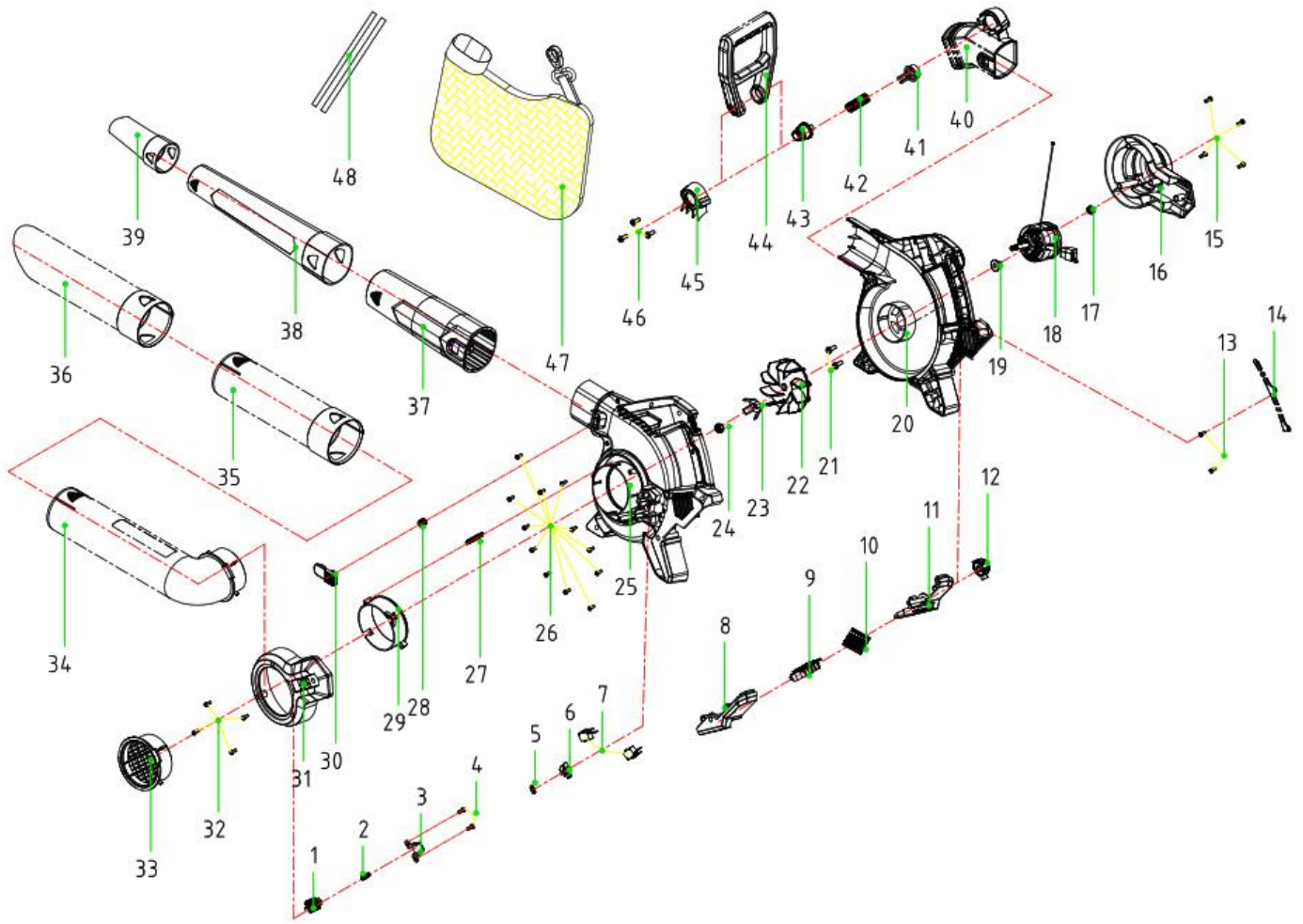


Model Number  
Mac Allister MBV36-Li



36V Blower/Vacuum

# Exploded Diagram



## Parts List

Part ID	Apelson PN	MPN	Part Description	Qty
1	GP0000002424	22241000060336A	PUSH BUTTON (DYM5071-20)	1
2	GP0000002425	2209800022A	SWITCH TRIGGER SPRING	1
3	GP0000002426	22241000110001A	PRESS BLOCK (DYM5071-21)	1
4	GP0000002427	A26800107101	TAPPING SCREW	2
5	GP0000002428	2209800024A	ROTARY BUTTON SPRING	1
6	GP0000002429	22241000103200A	SWITCH CONTACT (DYM5071-22)	1
7	GP0000002430	2228900084A	MICROSWITCH (TWO-PIN)	2
8	GP0000002431	22241002610001A	HANGER LEFT (MW500605-04)	1
9	GP0000002432	22241002630001A	INSERT SEAT (MW500605-05)	1
10	GP0000002433	22285000020336A	BRUSHLESS CONTROLLER	1
11	GP0000002434	22241002620001A	HANGER RIGHT (MW500605-04)	1
12	GP0000002435	2328900032A	MAGNETIC RING	1
13	GP0000002436	30113010195000	SELF-TAPPING SCREW ST3*10	2
14	GP0000002437	2228900003A	CONDUCTIVE IRON	1
15	GP0000002438	3011301010	SELF-TAPPING SCREWS ST4*16(PAN HEAD 6.6-7.0)	4
16	GP0000002439	22241002604017A	RIGHT COVER (MW500605-03)	1
17	GP0000002440	2229600001A	DAMPING RING	1
18	GP0000002441	2050100214A	BRUSHLESS MACHINE	1
19	GP0000002442	2229300024A	SHAFT SLEEVE	1
20	GP0000002443	22246000053001A	RIGHT CASE COVER (500605-02)	1
21	GP0000002444	3021302001	MACHINE TOOTH SCREW M5*12(PAN HEAD 8.1-8.7)	2
22	GP0000002445	2224100273A	WIND LEAF (MW500605-13)	1
23	GP0000002446	2229300025A	BLADE	1
24	GP0000002447	3031309002	HEXAGON LOCK NUT M8	1
25	GP0000002448	22246000043001A	LEFT CASING RUBBER (MW500605-02)	1
26	GP0000002449	3011301010	SELF-TAPPING SCREWS ST4*16(PAN HEAD 6.6-7.0)	12
27	GP0000002450	2226800002A	TENSION WHEEL SPRING	1
28	GP0000002451	2209800043A	ELASTIC BUTTON PRESS SPRING	1
29	GP0000002452	22241000090001A	RING LOCK (DYM5071-19)	1
30	GP0000002453	22241000080336A	LOCK BUTTON (DYM5071-20)	1
31	GP0000002454	22241002590001A	LEFT COVER (MW500605-03)	1
32	GP0000002455	3011301010	SELF-TAPPING SCREWS ST4*16(PAN HEAD 6.6-7.0)	4
33	GP0000002456	22241002640336A	AIR INLET HOOD (MW500605-06)	1
34	GP0000002457	22241002670001A	SUCTION DUCT 3(MW500605-07)	1
35	GP0000002458	22261000380001A	SUCTION DUCT 2(DYM5071-06)	1
36	GP0000002459	22261000370001A	SUCTION DUCT 1(DYM5071-05)	1
37	GP0000002460	22241002700001A	AIR DUCT 1(MW500605-10)	1
38	GP0000002461	22241002710001A	AIR DUCT 2(MW500605-11)	1
39	GP0000002462	22241002720001A	AIR DUCT 3(MW500605-13)	1
40	GP0000002463	22241002680001A	DUST BAG INTERFACE (MW500605-08)	1
41	GP0000002464	22261000080336A	AUXILIARY HANDLE BUTTON 1(DYM5071-11)	1
42	GP0000002465	2229800001A	SPRING	1
43	GP0000002466	22261000070336A	AUXILIARY HANDLE BUTTON 2(DYM5071-11)	1
44	GP0000002467	22261000100001A	AUXILIARY HANDLE (DYM5071-08)	1
45	GP0000002468	22241002690001A	INTERFACE PLATE (MW500605-09)	1
46	GP0000002469	3011301010	SELF-TAPPING SCREWS ST4*16(PAN HEAD 6.6-7.0)	3

47	GP0000002470	22277000212228A	DUST BAG	1
48	GP0000002471	2013900161	NYLON CABLE TIE	2
49	70068740	70068740	BATTERY - MDVB36-4	1
50	105001000189	105001000189	CHARGER - MFC36	1